

**LOADMASTER™**

[www.loadmaster.org](http://www.loadmaster.org)  
906.563.9226



**EnviroMaster DT**



## ***Crush the Competition***

The ***Enviromaster DT*** is Loadmaster's dual tailgate rear loader designed to fit any dual stream collection route. Proudly made in the USA with Loadmaster's long-standing reputation of reliability and robustness.



906.563.9226





## Inner Tailgate Remote Zerks

Proper lubrication of body components is important. We made the inner Tailgate Remote Zerks standard so you can easily maintain your equipment. In combination with our Triple Tailgate and Sweep Base End remote Zerks and our Ejector Remote Zerk options the complete truck can be greased from the ground.

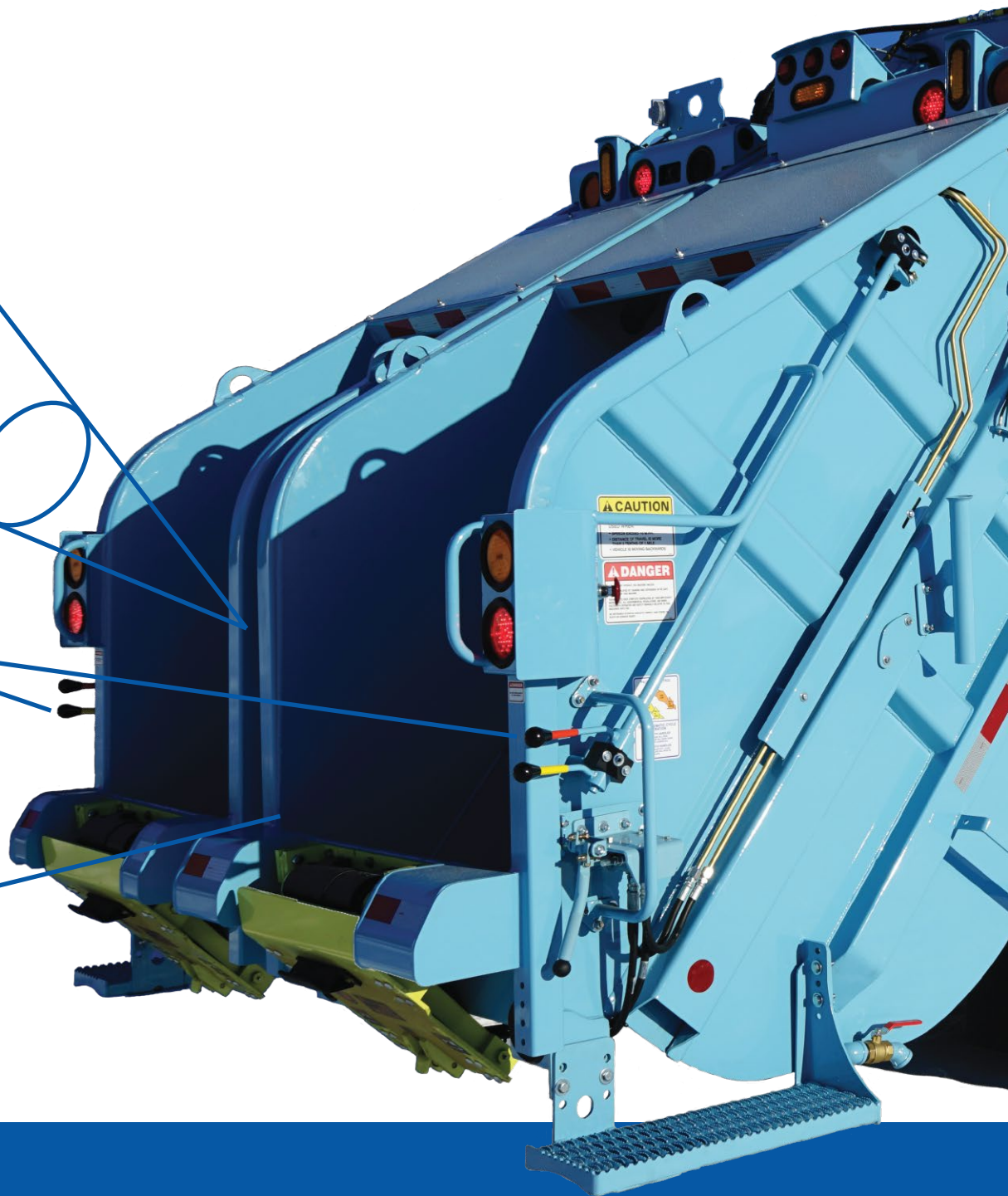


## Independent Tailgate Controls

Simplicity enhances reliability. We have made each tailgate its own independent system to conveniently place packing controls on the outside of each tailgate.

## Rugged Hopper

Our hopper floor is constructed of 3/16" Hardox 450 with a 1/4" AR 400 shelf liner and 3/16" Hardox 450 sides creating a hardy concoction that makes for an extremely resilient, long-lasting, machine.





## Customized to Your Route

Loadmaster has a long list of add-ons and options with every product line. The Enviromaster DT is not exception. Give your local Loadmaster dealer a call to learn what we can do for you.

## Easy Body Access

Body access doors are standard on both sides of the Enviromaster DT. This feature allows for hassle-free maintenance of ejectors and inner body chambers.

## Independent Body Control Valves

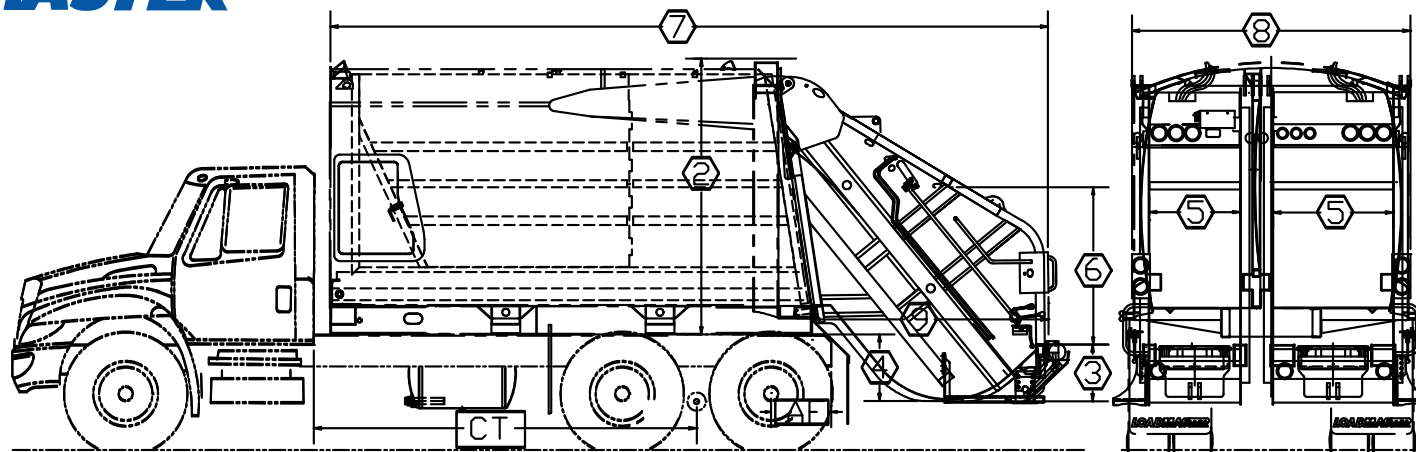
Independent body control valves for payload-eject, tailgate locks, and tailgate lift functions for each side of the Enviromaster DT means safe, contamination free dumping of payload

## Frame Mounted Oil Tank

The Enviromaster DT comes standard with a 60-gallon frame mounted oil tank fitted with a 100 mesh suction filter and a 10 micron microglass tank top return filter, ensuring clean, free-flowing oil is available to effectively power all hydraulic functions



# Tandem Axle Enviromaster DT



## Dimensional Specifications

1	Available Body Volumes	20 yd	25 yd	27 yd
2	Height Above Chassis Frame	97 1/2"	97 1/2"	97 1/2"
3	Depth of Hopper	19"	19"	19"
4	Hopper Below Chassis Frame	25 1/2"	25 1/2"	25 1/2"
5	Hopper Inside Width	31 1/2" for 40	41 1/2" for 60	
6	Hopper Opening Height	58"	58"	58"
7	Overall Length	250"	273"	289"
8	Overall Width	96"	96"	96"
9	Rear of Body to Rear of Tailgate	82"	82"	82"
10	Approximate Body Weight	20,400 lbs	21,100 lbs	21,500 lbs
11	Load Sill Below Chassis Frame	2 1/2"	2 1/2"	2 1/2"
12	Hopper Capacity	1.1 yd for 40	1.7 yd for 60	
13	Height Above Frame (With Gate Raised)	174"	174"	174"

## Chassis Recommendations

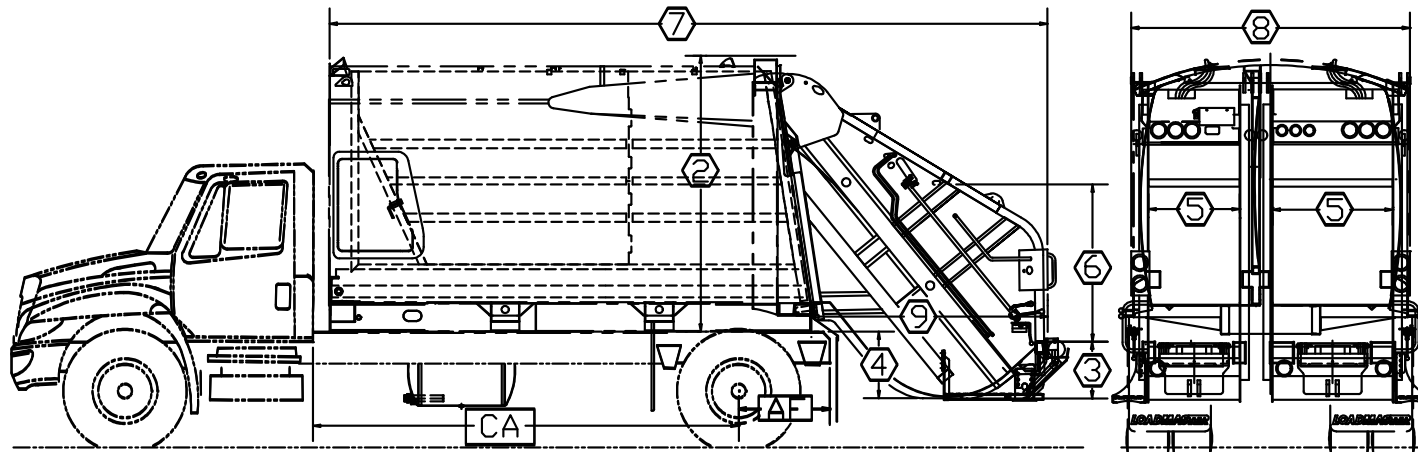
Body Size	Min. GVWR	Min. Front AWR	Min. Rear AWR	CT	Min. AF
20 yd	48,000	12,000	36,000	136"	24"
25 yd	50,000	12,000	38,000	158"	24"
27 yd	52,000	12,000	40,000	170"	24"

## Standard Material Specifications

Body Sides	8 gauge grade 80
Body Floor	3/16" AR 400
Body Roof	8 gauge grade 80
Floor Longitudinals	3" x 10" x 3/16" boxed channel
Ejector Track channel	1/4" elevated channel
Lower Tailgate Sides	3/16" Hardox 450
Upper Tailgate Sides	3/16" Hardox 450 in sweep zone
	10 gauge grade 80 above
Hopper Floor	3/16" Hardox 450 (with 1/4" AR 400 shelf doubler)
Separator Panel	3/16" AR 235 abrasion resistant
Ejector Face Panel	3/16" Grade 50
Ejector Shoes	Nylatron NSM
Sweep Face Panel	3/16" T-1 alloy
Slide Face Panel	7 gauge Grade 80
Slide Blade Shoes	Nylatron NSM

Loadmaster's dedication to customer service and satisfaction means we will modify and customize options and features to meet the unique demands of any customer's route. To learn more about what Loadmaster can do for you, give your local dealership a call.

# Single Rear Axle Enviromaster DT



## Dimensional Specifications

1	Available Body Volumes	16 yd	18 yd	20 yd
2	Height Above Chassis Frame	97 1/2"	97 1/2"	97 1/2"
3	Depth of Hopper	19"	19"	19"
4	Hopper Below Chassis Frame	25 1/2"	25 1/2"	25 1/2"
5	Hopper Inside Width	31 1/2" for 40 - 41 1/2" for 60		
6	Hopper Opening Height	58"	58"	58"
7	Overall Length	222"	239"	250"
8	Overall Width	96"	96"	96"
9	Rear of Body to Rear of Tailgate	82"	82"	82"
10	Approximate Body Weight	19,100 lbs	19,500 lbs	19,900 lbs
11	Load Sill Below Chassis Frame	2 1/2"	2 1/2"	2 1/2"
12	Hopper Capacity	1.1 yd for 40 - 1.7 yd for 60		
13	Height Above Frame (With Gate Raised)	174"	174"	174"

## Standard Material Specifications

Body Sides	8 gauge grade 80
Body Floor	3/16" AR 400
Body Roof	8 gauge grade 80
Floor Longitudinals	3" x 10" x 3/16" boxed channel
Ejector Track channel	1/4" elevated channel
Lower Tailgate Sides	3/16" Hardox 450
Upper Tailgate Sides	3/16" Hardox 450 in sweep zone 10 gauge grade 80 above
Hopper Floor	3/16" Hardox 450 (with 1/4" AR 400 shelf doubler)
Separator Panel	3/16" AR 235 abrasion resistant
Ejector Face Panel	3/16" Grade 50
Ejector Shoes	Nylatron NSM
Sweep Face Panel	3/16" T-1 alloy
Slide Face Panel	7 gauge Grade 80
Slide Blade Shoes	Nylatron NSM

## Chassis Recommendations

Body Size	Min. GVWR	Min. Front AWR	Min. Rear AWR	CA	Min. AF
16 yd	40,000	12,000	28,000	128"	34"
18 yd	42,000	14,000	28,000	140"	34"
20 yd	45,000	14,000	31,000	152"	34"



100 9th Ave.

P.O. Box 186

Norway, MI 49870

Proudly made in Norway, Michigan



Loadmaster reserves the right to change specifications without notice and without obligation to install them on units sold. Information published is informational only and shall not be construed to warrant suitability of the unit for any particular purpose as performance may vary with the conditions encountered. Illustrations shown may include optional equipment and accessories, and may not include all standard equipment.

906.563.9226

[www.loadmaster.org](http://www.loadmaster.org)